

## Simplicity Bubblers

### Chilled Beverage Dispensers 2x9 L, agitator model with locking lid

ITEM # \_\_\_\_\_

MODEL # \_\_\_\_\_

NAME # \_\_\_\_\_

SIS # \_\_\_\_\_

AIA # \_\_\_\_\_


**CCCRKT (ECS2E22)**

 Chilled Beverage Dispenser  
 with 2x9 liter bowls with  
 agitator and locking lid,  
 R290

### Short Form Specification

Item No. \_\_\_\_\_

Chilled beverage dispenser, 2x9lt, with agitation function for fresh juices, coffees, or teas with minimal foaming system. Dispense 2 flavors in 9lt easy-clean bowls with 23cm cup clearance. Easy-off bowl release system for faster and easier assembly and disassembly. Bowls with locking lid for added safety against tampering.

Temperature range from 1.7 - 5° C. Pre-mix dispenser with stainless steel base and clear plastic bowls. Compact size of 27 cm.

### Main Features

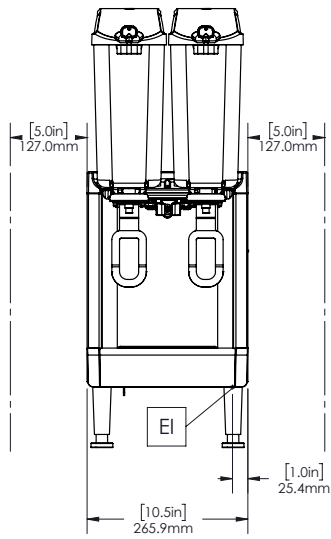
- Agitation function for fresh juices, coffees, or teas with minimal foaming system.
- Dispense 2 flavors in 9 L easy-clean bowls with 23 cm cup clearance.
- Easy-off bowl release system for faster and easier assembly and disassembly.
- User friendly design enables machine to dispense product till the very last drop.

### Construction

- Compact size of 27 cm wide saves valuable counter space.
- Temperature range from 1.7 - 5° C.
- Refrigerant type: R290.
- Pre-mix dispenser with stainless steel base and clear plastic bowls.
- Fewer removable parts to simplify cleaning and reduce maintenance.
- The air intakes from the bottom and exhaust to back.
- Locking lid for added safety against tampering.

APPROVAL: \_\_\_\_\_

Front



#### Electric

Supply voltage:

CCCRKT (ECS2E22)

220-240 V/1N ph/50/60 Hz

Electrical power max.:

0.4 kW

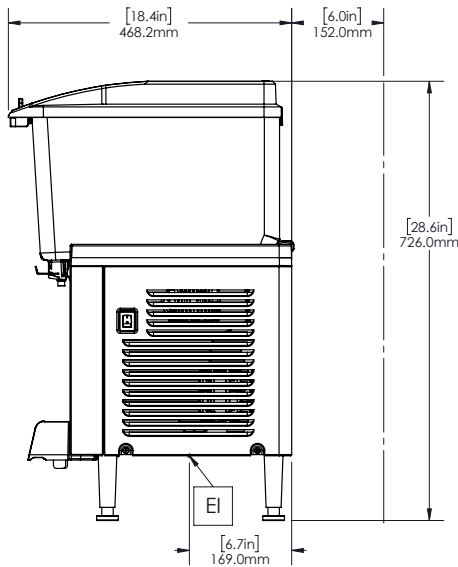
#### Key Information:

|                              |                        |
|------------------------------|------------------------|
| External dimensions, Width:  | 267 mm                 |
| External dimensions, Depth:  | 451 mm                 |
| External dimensions, Height: | 729 mm                 |
| Net weight:                  | ISO 9001; ISO 14001 kg |
| Shipping weight:             | 24 kg                  |
| Shipping height:             | 530 mm                 |
| Shipping width:              | 380 mm                 |
| Shipping depth:              | 480 mm                 |

#### Sustainability

Refrigerant type: R290

Side



Top

